



RESIDUAL CURRENT TRANSFORMER

Type A - DACT 20

Data Sheet

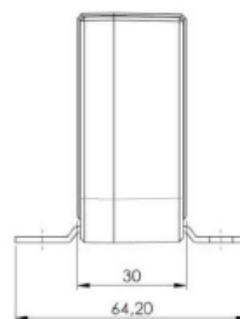
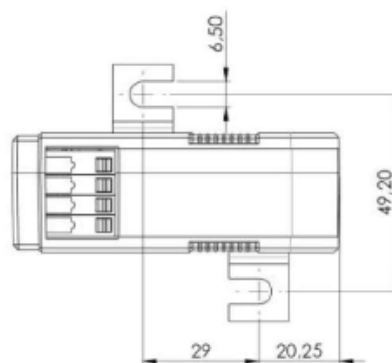
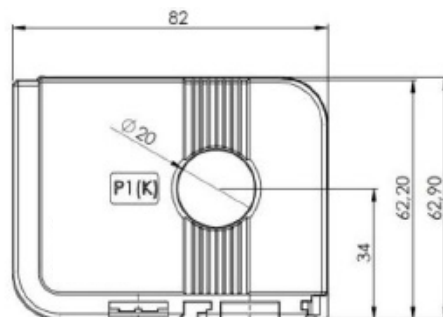
TECHNICAL DATA & DIMENSIONS



Residual current transformer type A DACT 20

Main features

- For residual current detection in 3-/4-wire alternating current networks
- Highly sensitive current sensor for detecting even the smallest residual currents
- Simple connection by means of 4-pole spring terminal
- High safety, thanks to integrated surge protection
- Flexible use due to a wide frequency range
- Mounting on 35 mm DIN rail possible with optional snap-on mounting



All dimensions in mm - the figures are for illustration purposes and are not to scale

Model	DACT20
Approx. weight	approx. 150 g (0.33 lbs)
Overall width	82 mm (3.22 in)
Max. primary residual current	18 A*
Rated secondary residual current	0.03 A
Measurement range	0.02 ... 20 A
Ratio	600/1
Rated burden	100 Ω
R _{ct} (75°)	5 ... 8 Ω
L (U _{sec} = 100 mV, 50 V)	8 ... 12 H
Round conductor	20 mm (0.79 in)
Accuracy class	0.5*
Working frequency range	30 Hz - 3 kHz
Rated voltage	800 V
Rated surge voltage	8 kV
Working temperature	-10 °C to + 70 °C (14 °F to 158 °F)
Storage temperature	-25 °C to + 70 °C (-13 °F to 158 °F)
Pollution degree	III
Protection level Housing Terminals	IP 40 IP 20
Standards	IEC 60664-1 / IEC 60664-3

* When using the analog inputs of the UMG 96RM-E, UMG 96RM-PN, UMG 509-PRO and UMG 512-PRO

Janitza electronics GmbH • Vor dem Polstück 6 • 5633 Lahnau, Germany
Support tel. +49 6441 9642-22 • info@janitza.de • www.janitza.de

Janitza[®]