



## AUFSTECKSTROMWANDLER for billing purposes

EIPA40.5 / E6A315.3 / E7A412.3 / E9A615.3 / E13A1030.3  
Class 0.5 ... / 5A

Datasheet

Read and understand all associated documents before using the device and its components. The following safety instructions present an overview of all safety measures required for operating the device and its components. Observe the safety instructions and warning notices for your personal safety and to prevent property damage.

**Special operating conditions may require additional measures! It also essential to observe the special safety instructions which are included in the respective documents for the device and its components! Documents that accompany our products can be found on our web site [www.janitza.de](http://www.janitza.de) > Support > Downloads.**

#### Electrically qualified personnel

To prevent personal injuries and property damage, only electrically qualified personnel may work on the devices and their components, assemblies, systems and circuits. They must also have knowledge

- of the national and international accident prevention regulations.
- of safety technology standards.
- in installation, commissioning, operation, enabling, grounding and labeling of electrical equipment.
- of the requirements for personal protective equipment.

Electrically qualified personnel, in terms of the safety-related notes in all documents accompanying the device and its components, are persons who can prove a professional qualification as an electrician.

#### Intended use

The devices and their components are

- intended for installation in switching cabinets and small installation distributors.
- **not** intended for installation in vehicles! Using the devices and their components in mobile equipment is considered an unusual environmental condition and is only permissible by special agreement.
- **not** intended for installation in areas exposed to harmful oils, acids, alkalis, gases, vapors, dust, radiation, etc.

The prerequisites for smooth and safe operation of the devices and their components include proper transport, storage, setup and assembly, operation and maintenance, as well as observance of the safety instructions and warning notices.

**Find further safety instructions on our website under [www.janitza.de](http://www.janitza.de) > Support > Downloads.**

### **WARNING**

#### **Risk of injury due to electrical voltage!**

Serious personal injuries or death may occur!

Therefore, please observe the following:

- **Before starting work on your system, disconnect the system from the power supply! Secure it against being switched back on! Verify disconnection from power! Ground and short circuit! Cover or block off neighboring parts that are under voltage!**
- **Also make sure to check your system for dangerous voltage and switch it off if necessary during the operation and troubleshooting (especially with top hat rail devices)!**
- **For work on electrical systems, wear protective clothing and safety equipment according to applicable directives!**
- **Before connection, ground the device/ components at the ground wire connection, if available!**
- **Do not touch exposed or stripped cores that are under voltage! Fit wire end ferrules on the conductors made of individual wires!**
- **Dangerous voltages may be present in all circuit parts connected to the power supply.**
- **Secure your lines, cables and devices with a suitable circuit breaker/fuse (for dimensioning, see documentation for the device)!**
- **Never switch off, dismantle or manipulate safety devices!**
- **There may still be dangerous voltages present in the device or in the components even after disconnection of the supply voltage (capacitor storage).**
- **Do not operate operating equipment with open current transformer circuits.**
- **Only connect screw-type terminals with the same number of poles and same type!**
- **Do not exceed the threshold values stated in the user manual and on the rating plate; this must also be observed during inspection and commissioning.**
- **Safety instructions and warning notices in the documents that accompany the devices and their components!**

**⚠ WARNING**

**Risk of injury due to high currents and high electrical voltages on the current transformers!**

Open current transformers that are operated on the secondary side (high voltage peaks that are dangerous to touch) can result in serious bodily harm or even death.

- **Avoid the open operation of the current transformers. Overloaded transformers short circuit!**
- **Before interrupting the power supply, short circuit the secondary connections of the current transformer. Test switch, automatically short circuit the secondary lines of the current transformer, bring into the "Test" status (check test switch/short-circuiter beforehand)!**
- **Only use current transformers with a basic insulation according to IEC 61010-1:2010!**
- **Caution, even safe open current transformers can be dangerous to touch during open operation!**
- **Make sure that screw-type terminals for the current transformer connection on the device are sufficiently fastened!**
- **Observe the instructions and provisions in the documentation for your current transformer!**
- **Connect existing grounding connections on the secondary windings of the current transformers to ground!**
- **Make sure that the primary conductor is de-energized and secure it against unintentional restart**

**⚠ CAUTION**

**Risk of injury or damage to the device due to high measured currents at the connections of the current transformer!**

During high measured currents, temperatures up to 80 °C (176 °F) can arise at the connections of the current transformer.

- **Use lines which are designed for an operating temperature of at least 80 °C (176 °F)!**
- **Current transformers can still be hot even after the power supply has been switched off. Let the current transformer connections and the connection lines cool down before contact!**

## TECHNICAL DATA

### Moulded case current transformers Class 0.5 ... / 5 A

Highest voltage for operating equipment $U_m$	0.72 kV
Rated insulation level (test voltage)	3 kV / 1 min
Nominal Frequency	50 / 60 Hz
Thermal rated continuous current $I_{cth}$	$1.2 \times I_{pr}$ ( $I_{pr}$ = primary rated current)
Over-current limit factor	FS5 to FS10
Thermal rated short-term current $I_{th}$	$60 \times I_{pr}$ für 1 s
Rated surge current $I_{dyn}$	$2.5 \times I_{th}$
Temperature	-40 ... 40° C ( -40° ... 104°F)
Insulation class	E
Harmonic currents	up to 50. harmonic
Normative Standards	IEC 61869 part 1+2 DIN EN 42600 VDE 0100 DGUV rule 3 DIN EN 50274 / VDE 0660-514
General properties	<ul style="list-style-type: none"> <li>· unbreakable plastic housing polyamide</li> <li>· flame retardant</li> <li>· nickel-plated secondary terminals with plus/minus screw, (2Nm)</li> <li>· integrated secondary covering</li> </ul>
In delivery included	1 pc. primary rail 2 pcs. secondary terminal covering (yellow slider) 2 pcs. fork root

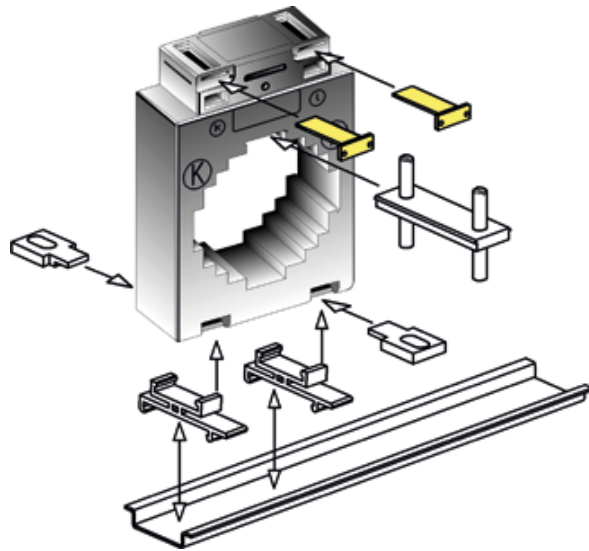
\* Secondary current transformer .. / 1 A as well as other types on request.

### Secondary connections

- Feeding of the secondary connections to the connection terminals through the rectangular opening in the front and rear sides
- Secondary connection by means of cable lugs through the side slots

### Expanded secondary terminal covering

- In addition to the normal terminal covering, extra protective hoods are available
- Locking of the front and rear feed to the secondary terminals

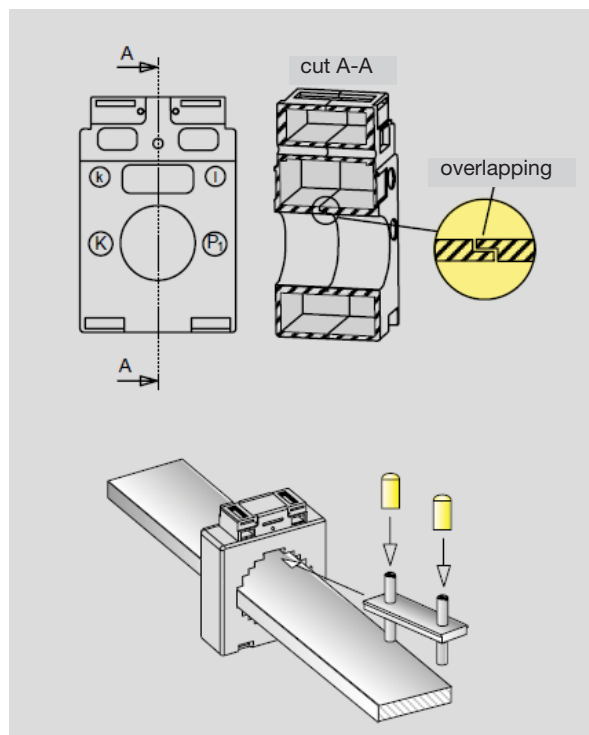


### Increased reliability

- Both halves of the housing overlap rather than butting up against one another
- Break-proof plastic housing made from polyamide
- Non-combustible per UL 94 VO and self-extinguishing

### Protective caps for primary bus bar fastening screws

- Fixing screws pins for the primary rail can be insulated by means of protective caps, available as an option
- Safeguard to prevent accidental contact

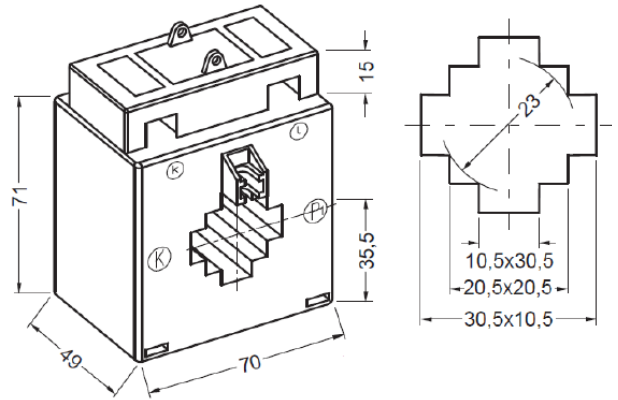


## DIMENSIONS & DATA

### EIPA30.5

Weight: app. 400 g (10.9 lb)

Primary current in A	Power in VA
50	1.25
75	2.5
100	2.5

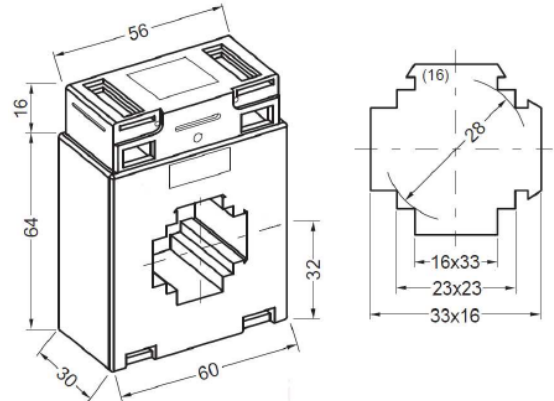


all dimensions in mm

### E6A315.3

Weight: app. 300 g (0.7 lb)

Primary current in A	Power in VA
200	2.5
250	5
300	5
400	5
500	5
600	5

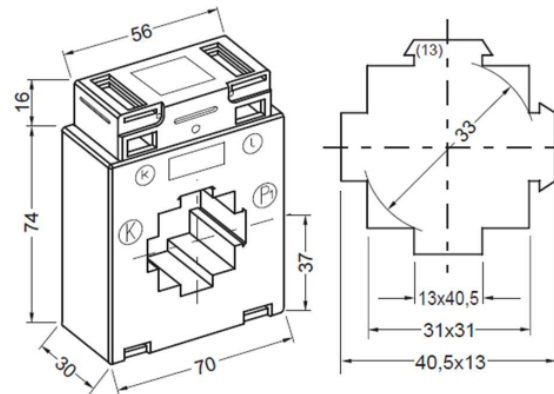


all dimensions in mm

### E7A412.3

Weight: app. 400 g (0.9 lb)

Primary current in A	Power in VA
800	5
1000	5

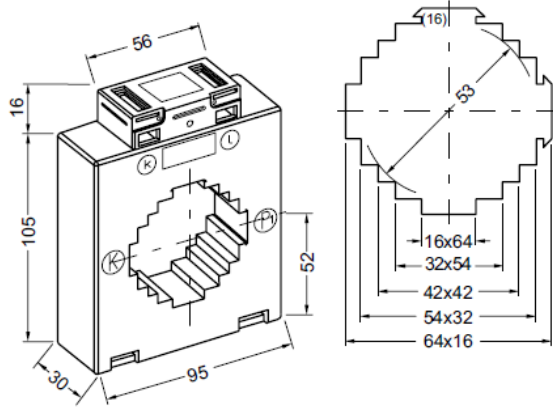


all dimensions in mm

**E9A615.3**

Weight: app. 500 g (1.1lb)

Primary current in A	Power in VA
1500	5

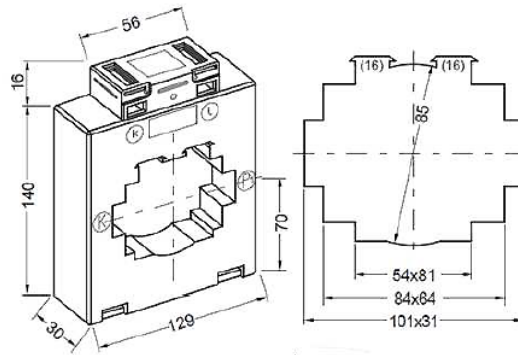


all dimensions in mm

**E13A1030.3**

Weight: app. 500 g (1.1 lb)

Primary current in A	Power in VA
1600	5
2000	5
2500	5



all dimensions in mm

Janitza electronics GmbH  
Vor dem Polstück 6  
D-35633 Lahnau  
Support Tel. +49 6441 9642-22  
E-mail: [info@janitza.de](mailto:info@janitza.de)  
[www.janitza.de](http://www.janitza.de)

Subject to technical changes

**Janitza**<sup>®</sup>