

ECS1-80

Installation and Operating Instructions

Single-phase Digital Energy meters - Direct connection 80 A

IST063-01 Stand 10-09-2012

active and reactive energy-meter with measurement of active and reactive instantaneous power - 2 tariff - 2 SO

Code	Model	Description
ECSEM118	ECS1-80	single-phase digital active and reactive energy-meter with active and reactive power indication direct connection 0.25-5 (80) A - 2 tariffs - 2 SO
ECSEM119MID	ECS1-80 MID	d.to with MID certified

active and reactive energy-meter with measurement of active and reactive instantaneous power, and inbuilt communication M-Bus - 2 tariff

Code	Model	Description
ECSEM122	ECS1-80 M-Bus	single-phase digital active and reactive energy-meter with active and reactive power indication direct connection 0.25-5 (80) A - 2 tariffs - 2 SO - and inbuilt communication M-Bus
ECSEM123MID	ECS1-80 MID M-Bus	d.to with MID certified

active and reactive energy-meter with measurement of active and reactive instantaneous power, and inbuilt communication Modbus RTU - 2 tariff

Code	Model	Description
ECSEM120	ECS1-80 Modbus	single-phase digital active and reactive energy-meter with active and reactive power indication direct connection 0.25-5 (80) A - 2 tariffs - 2 SO - and inbuilt communication Modbus RTU
ECSEM121MID	ECS1-80 MID Modbus	d.to with MID certified

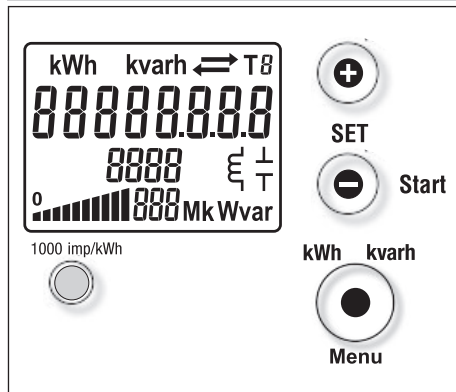


⚠ WARNING

Installation must be carried out and inspected by a specialist or under his supervision.
When working on the instrument, switch off the mains voltage!

- This family of devices provides a set of single phase energy meters designed to be directly connected to system where high current is required. All the meters are equipped with an easy to read LCD with green back light on which displays all the active and reactive energy counters, with a red light LED which blink in proportion to the measured active energy and with a optocoupler that allows the storage of energy on two different tariffs. Depending on the model a insulated M-Bus communication interface or a insulated Modbus communication interface are built in two solid state relay which generate pulses proportional to the measured energy. Both M-Bus and Modbus communication interfaces offers a set of 15 measures.

Display



88888888

kWh kvarh

T8

↔

⌚

⊕

8888



1000 imp/kWh



- Energy value
- kWh / kvarh display
- Running tariff, called tariff
- Energy export (absorbed ←)
- Energy import (supplied →)
- Displays inductive, reactive power
- Displays capacitive, reactive power
- Full scale current indication
- Consumption Bar display (percentage of *Pmax*)
- Precision control LED

Commands



SET



Start

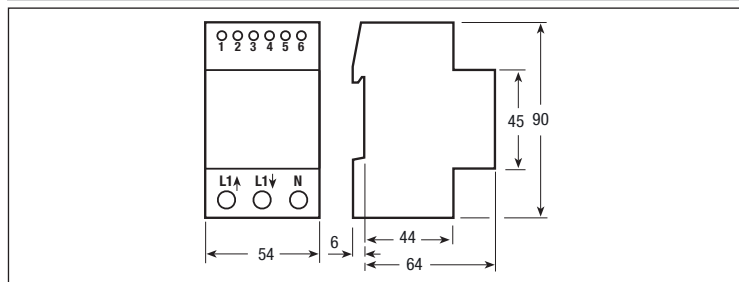
kWh kvarh



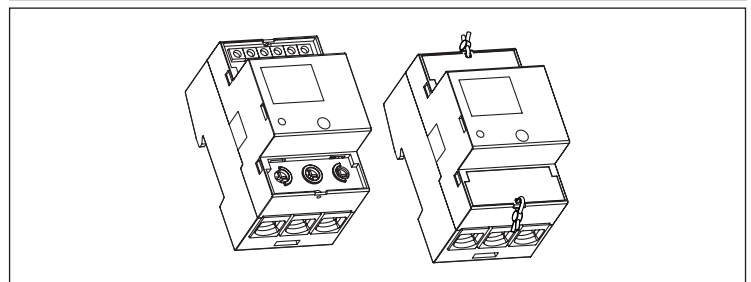
Menu

- Parameters set
- Menu key for reading selection

Dimension

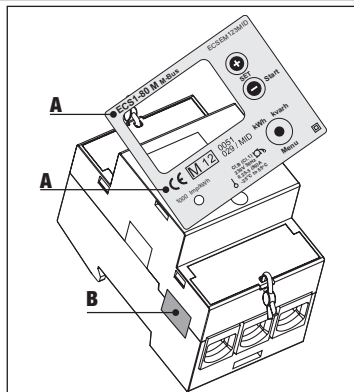


Sealable terminal covers



MID calibrated

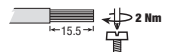
ECSEM119MID - ECSEM121MID
ECSEM123MID



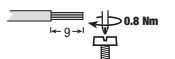
- A) Device code and certification data indications
- B) Safety-sealing between upper and lower housing part

Cable stripping length and max. terminal screw torque

80 A direct connection main terminals - Screw driver P22



Tariff and communication terminals
Screw driver blade 0.8x3.5 mm



Symbols

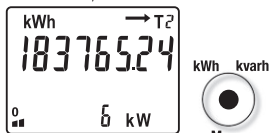
- Measuring elements
- Reversal preventing device
- Protected by double insulation

Main Menu

Device Switch ON

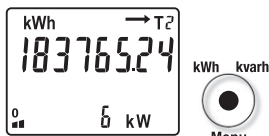
Page 1:
In this page, the value of the currently growing Active Energy is represented (or the last one that has grown). The energy may be Consumed or Generated, with Tariff T1 or T2, depending on the current Energy flowing

Page 1



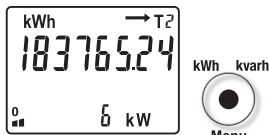
Page 2:
By pushing any key the back light turns on

Page 2



Page 3:
The next 8 "Menu key" presses allow the display of the 8 energy counters. The counters are:

Page 3



- Active import energy on tariff 1 - Active export energy on tariff 1
 - Reactive import energy on tariff 1 - Reactive export energy on tariff 1
 - Active import energy on tariff 2 - Active export energy on tariff 2
 - Reactive import energy on tariff 2 - Reactive export energy on tariff 2
- When is displayed an energy counter corresponding to the running tariff, on the bottom row the power is displayed

Page 4:
This page changes depending on the model

Page 4

• **ON time page (PULSE LEn):** In this page the time on in ms of the S0 pulse appears. This value can be altered, see the section Pulse Output.

• **Model equipped with M-Bus or Modbus:** In this page the Modbus address or the M-Bus primary address appears. This value can be altered, see the section Communication Address.

Page 5:
This page changes depending on the model

Page 5

• **Pulse quantity page (PULSES):** In this page the number of pulses per kWh, of the S0 output, appears. This value can be altered, see the section Pulse Output

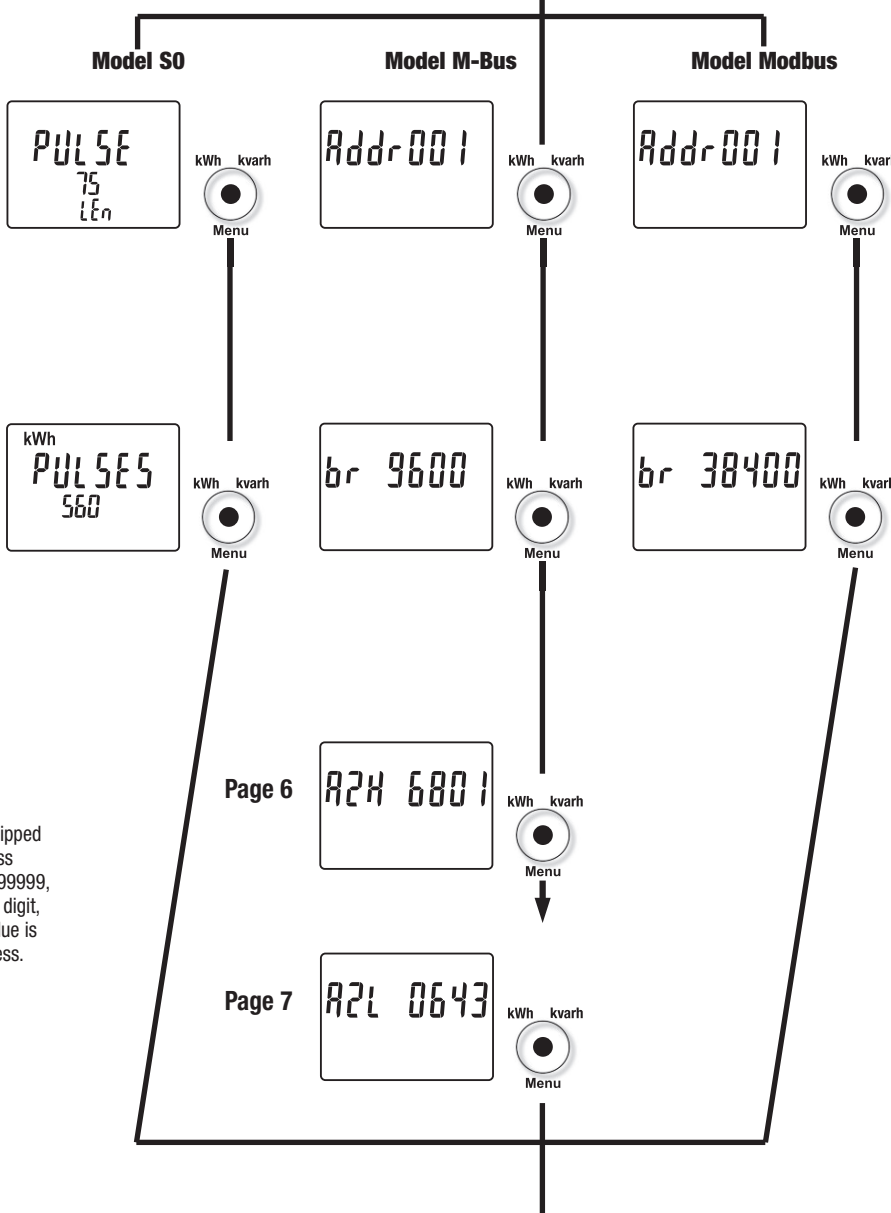
• **Model equipped with M-Bus or Modbus:** In this page the communication baud rate appears. This value can be altered, see the section Communication Baudrate.

Page 6-7:
These pages are available only for the model equipped with M-Bus. In these pages the Secondary address appears. These address can range from 1 to 99999999, hence requires 2 pages (the 1st for the 4 highest digit, the 2nd for 4 lowest digit). In this example, its value is 68010643. See the section Communication Address.

Page 6



Page 7



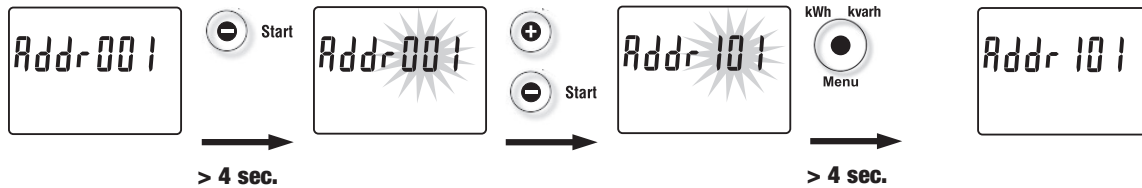
Whichever the page on the display, if no key is pushed for at least 20 sec., the main page appears again.

Communication Address

Modbus

In the Address page by kept pushed for 4 sec. the "Start (-) key" the value of the Address blink on the display:
Push "Start (-) key" or "(+)" charge the value. Push the "Menu key" to confirm, otherwise within 5 seconds the modification will be lost.

Main Menu:

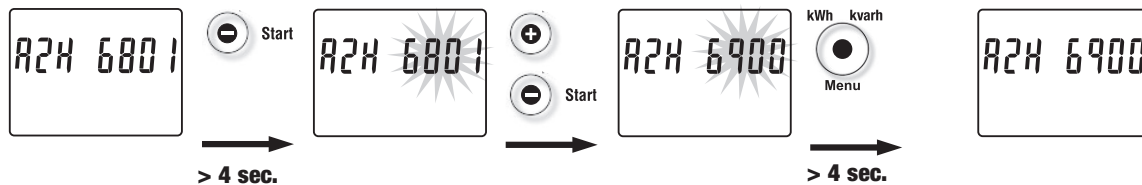


Main Menu:

M-Bus

Both Primary and Secondary Address can be set.
For setting the Primary Address follow the same instructions of the Modbus Address. Secondary address can range from 1 to 99999999, hence requires 2 pages.
In the "Secondary Address Page 1" the 4 more significant digit of the Address are set by kept pushed for 4 sec. the "Start (-) key". The value of the Address blink on the display.
Push "Start (-) key" or "(+)" charge the value. Push the "Menu key" to confirm, otherwise within 5 seconds the modification will be lost.
In the "Secondary Address Page 2" the 4 less significant digit of the Address are set follow the same instruction of the "Secondary Address Page 1"

Main Menu:

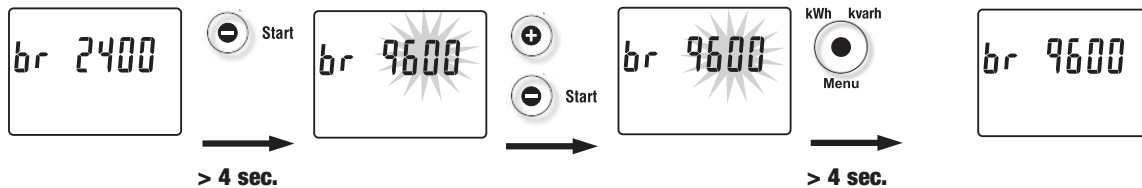


Main Menu:

Communication Baudrate

In the Baudrate page by kept pushed for 4 sec. the "Start (-) key" the value of the Baud rate blink on the display.
Push "Start (-) key" or "(+)" charge the value. Push the "Menu key" for 4 sec. to confirm, otherwise within 5 seconds the modification will be lost.

Main Menu:



Main Menu:

Pulse Output

Pulse output quantity setting

The number of pulse per kWh (Pulse constant) that the meter can generate is a function of the ON time of the pulse. The relationship is: $\text{Pulse Constant} \leq \frac{50.000}{\text{ON time [ms]}}$

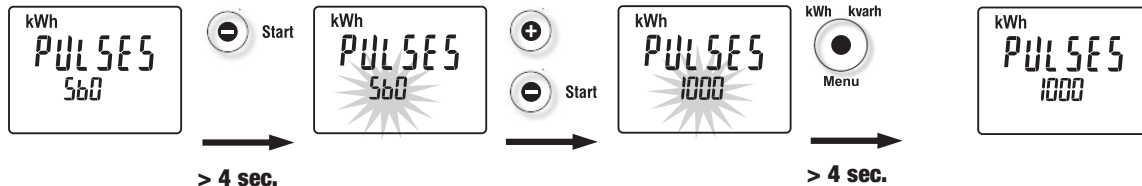
For example, a time ON pulse of 90 ms, the maximum Pulse constant that you can select is: $\text{Pulse Constant} = \frac{50.000}{90} = 555.5 = 550 \text{ pulse for kWh}$ (the number must be to tens truncated)

If the Pulse constant or the ON time of the pulse setted implies that the relationship is not respected, the setting is rejected.

Pulse constant setting

In the Pulse constant page by kept push for 4 sec. the "Start (-) key" the value of the constant blink on the display.
Push "Start (-) key" or "(+)" to change the value. Push the "Menu key" for 4 sec. to confirm, otherwise within 5 seconds the modification will be lost.

Main Menu:

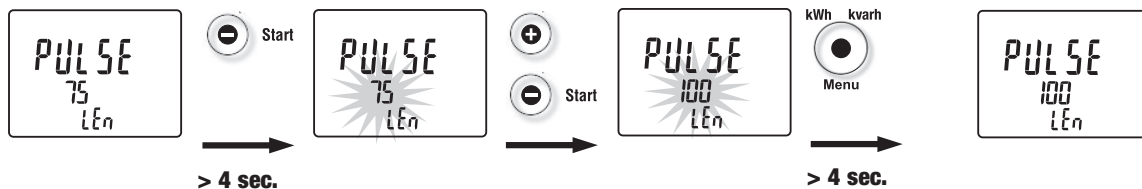


Main Menu:

Pulse length (ms) setting

In the ON time page by kept push for 4 sec. the "Start (-) key" the value of the constant blink on the display.
Push "Start (-) key" or "(+)" to change the value. Push the "Menu key" for 4 sec. to confirm, otherwise within 5 seconds the modification will be lost.

Main Menu:

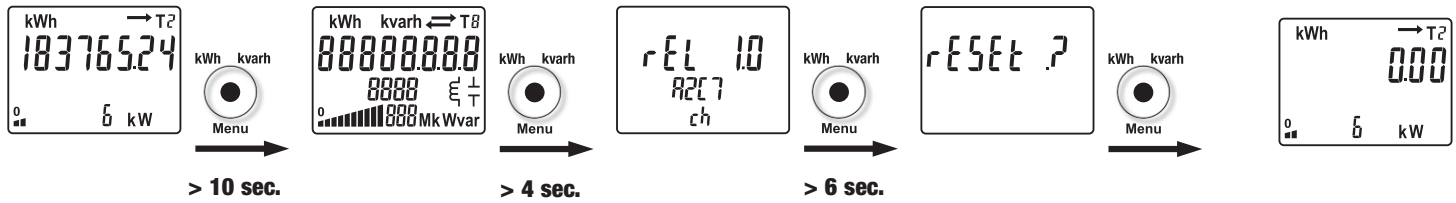


Main Menu:

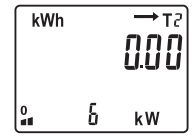
Firmware Information Diagnostic Page of the Display Energy Reset

In any page of the Main Menu by kept push for 10 sec. the “Menu key” the diagnostic page of the display appears. If the “Menu key” is held down for other 4 sec. the display shows information about the firmware release and the firmware checksum. If the “Menu key” is held down for other 6 sec. is possible to enter in the zeroing menu of the energy counters. (The zeroing menu is available only in the meter not MID certified.) When the display shows “rESET” the key must be released. To do the reset press it again, afterwards it will go back to the default visualization with all registers reset. After 4 sec. from the button release if the “Command reset” is not done, it will go back to the default visualization without the reset.

Main Menu:



Main Menu:



Diagnostic Message

Error Condition

When the display show these messages, the meters has got a malfunction and must be replaced..

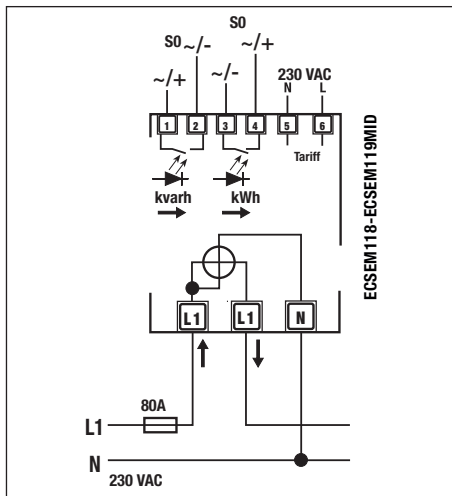


Service and Maintenance

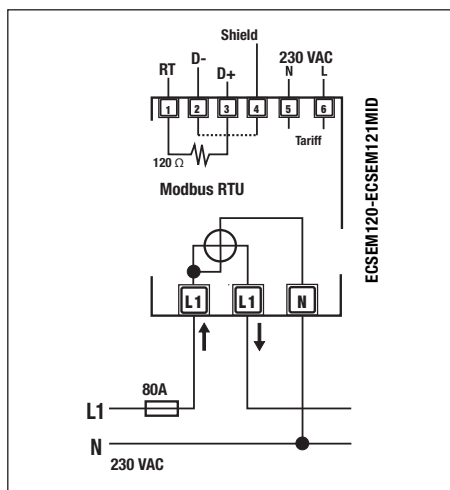
It should not be necessary to recalibrate device during its lifetime as it is an electronic meter with no moving parts with electronics and voltage and current sensors that do not naturally degrade or change with time under specified environmental conditions. If a degradation in the performance is observed the device has probably been partly damaged and should be sent for repair or exchanged. If the meter is dirty and needs to be cleaned, use lightly moistened tissue with a water based mild detergent. Make sure no liquid goes into the meter as this could damage the meter.

Wiring diagram

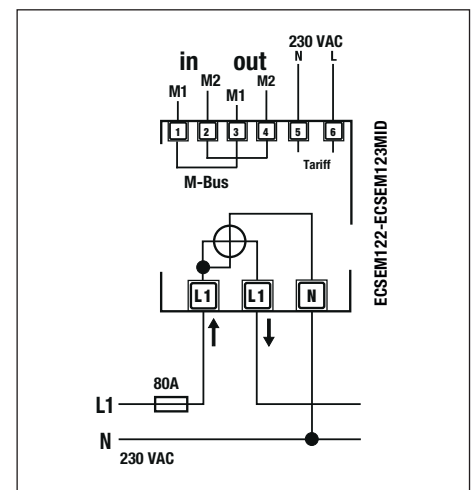
S0



Modbus



M-Bus



A fuse of 80 A is recommended for the line protection.

Terminal Description

S0

- 1-2: Pulse output of reactive energy imported, isolated by a OptoMOS Relay.
- 3-4: Pulse output of active energy imported, isolated by a OptoMOS Relay
- 6-7: Tariff signal, isolated by a Opto Coupler. When there is a voltage of 230 VAC connected the device store energies on the Tariff 2 registers, otherwise on the Tariff 1 registers.
- L1 ↑: Input for the phase conductor.
- L1 ↓: Output for the phase conductor.
- N: Measuring input of neutral.

Modbus

- 1: Modbus network. For the termination of the network short this terminal with terminal 3.
- 2: Modbus network. Data -
- 3: Modbus network. Data +
- 4: Modbus network. Shield
- 6-7: Tariff signal, isolated by a Opto Coupler. When there is a voltage of 230 VAC connected the device store energies on the Tariff 2 registers, otherwise on the Tariff 1 registers.
- L1 ↑: Input for the phase conductor.
- L1 ↓: Output for the phase conductor.
- N: Measuring input of neutral.

M-Bus

- 1-3: M-Bus network. These terminals are internally connected.
- 2-4: M-Bus network. These terminals are internally connected.
- 6-7: Tariff signal, isolated by a Opto Coupler. When there is a voltage of 230 VAC connected the device store energies on the Tariff 2 registers, otherwise on the Tariff 1 registers.
- L1 ↑: Input for the phase conductor.
- L1 ↓: Output for the phase conductor.
- N: Measuring input of neutral.

Technical Data

Data in compliance with EN 50470-1, EN 50470-3, EN 62053-23 and EN 62053-31

			ECSEM118-ECSEM119MID	ECSEM120-ECSEM121MID ECSEM122-ECSEM123MID
			direct connection 80 A Pulse output S0	direct connection 80 A inbuilt commun. Modbus - M-Bus
General characteristics				
• Housing	DIN 43880	DIN	3 modules	3 modules
• Mounting	EN 60715	35 mm	DIN rail	DIN rail
• Depth		mm	70	70
Operating features				
• Connectivity	to single-phase network	n° wires	2	2
• Storage of energy values and configuration	digital display (EEPROM)	-	yes	yes
• Display tariffs identifier	for active and reactive energy	n° 2	T1 and T2	T1 and T2
Supply				
• Certified voltage range <i>Un</i>		VAC	230 ±20%	230 ±20%
• Operating voltage range		VAC	110 ... 276	110 ... 276
• Certified frequency <i>fn</i>		Hz	50 ±2%	50 ±2%
• Operating frequency range		Hz	48 ... 62	48 ... 62
• Rated power dissipation (max.) <i>Pv</i>		VA (W)	≤8 (0.6)	≤8 (0.6)
Overload capability				
• Voltage <i>Un</i>	continuous	VAC	276	276
	momentary (1 s)	VAC	300	300
• Current <i>I_{max}</i>	continuous	A	80	80
	momentary (10 ms)	A	2400	2400
Display				
• Display type	LCD	n° digits	8 (2 decimal)	8 (2 decimal)
	digit dimensions	mm x mm	6.00 x 3	6.00 x 3
• Active energy: 1 display, 7-digit + display import or export (arrow)	tariffs 2	kWh	0.01	0.01
	overflow	kWh	999999.99	999999.99
• Reactive energy: 1 display, 7-digit + display import or export (arrow)	tariffs 2	kvarh	0.01	0.01
	overflow	kvarh	999999.99	999999.99
• Instantaneous active power: 1 display, 3-digit		W, kW or MW	000 ... 999	000 ... 999
• Instantaneous reactive power: 1 display, 3-digit		var, kvar or Mvar	000 ... 999	000 ... 999
• Instantaneous tariff measurement		-	1	1
	1 display, 1-digit	-	T1 or T2	T1 or T2
• Display period refresh		s	1	1
Measuring accuracy				
• Active energy and power	at 23 ±1°C, referred to nominal values acc. to EN 50470-3	class	B	B
• Reactive energy and power	acc. to EN 62053-23	class	2	2
Measuring input				
• Type of connection	phase/N	-	direct	direct
• Operating range voltage	phase/N	VAC	110 ... 276	110 ... 276
• Current <i>I_{ref}</i>		A	5	5
• Current <i>I_{min}</i>		A	0.25	0.25
• Operating range current (<i>I_{st} ... I_{max}</i>)	direct connection	A	0.020 ... 80	0.020 ... 80
• Operating frequency		Hz	48 ... 62	48 ... 62
• Certified frequency		Hz	50 ±2%	50 ±2%
• Starting current for energy measurement (<i>I_{st}</i>)		mA	20	20
Pulse output S0				
• Pulse output	acc. to EN 62053-31 for active and reactive energy T1 and T2	-	yes	-
• Pulse quantity		imp/kWh	1000	-
• Pulse duration		ms	100 ms (lower on request)	-
• Required voltage	min. (max.)	VAC (DC)	5 ... 230 ±5% (5 ... 300)	-
• Permissible current	pulse ON (max. 230 V AC/DC)	mA	90	-
• Permissible current	impuls OFF (leakage cur. max. 230 V AC/DC)	µA	1	-
Optical interfaces				
• Front side (<i>accuracy control</i>)	LED	imp/kWh	1000	1000
Safety acc. to EN 50470-1				
• Indoor meter		-	yes	yes
• Degree of pollution		-	2	2
• Operational voltage		VAC	300	300
• AC voltage test (EN 50470-3, 7.2)		kV	4	4
• Impulse voltage test		1.2/50 µs-kV	6	6
• Protection class (EN 50470)		class	II	II
• Housing material flame resistance	UL 94	class	V0	V0
• Safety-sealing between upper and lower housing part (mod. ECSEM119MID-ECSEM121MID-ECSEM123MID)		-	yes	yes
Embedded communication				
• Modbus RTU	RS-485 - 3 wires	-	-	up to 38.400 bps
• M-Bus	2 wires	-	-	up to 9.600 bps
• M-Bus unit load	2 wires	-	-	1
Adaptor for Communication				
• Plug-and-play technology		-	•	•
• LAN Interface with Modbus/TCP protocol	Ethernet 802.3	-	10/100 Mbps	10/100 Mbps
• Modbus RTU, Ascii interface	RS-485 - 3 wires	-	up to 38.400 bps	-
• M-Bus interface	2 wires	-	up to 9.600 bps	-
• KNX interface	EIB-standard	-	up to 9.600 bps	up to 9.600 bps
• SD-Card Datalogger		-	1 to 8 Gigabytes	1 to 8 Gigabytes
Connection terminals				
• Type cage main current paths	screw head Z +/-	POZIDRIV	PZ2	PZ2
• Type cage pulse output	blade for slotted screw	mm	0.8 x 3.5	0.8 x 3.5
• Terminal capacity main current paths	solid wire min. (max.)	mm ²	1.5 (50)	1.5 (50)
	stranded wire with sleeve min. (max.)	mm ²	1.5 (50)	1.5 (50)
• Terminal capacity pulse output	solid wire min. (max.)	mm ²	1 (4)	1 (4)
	stranded wire with sleeve min. (max.)	mm ²	1 (2.5)	1 (2.5)
Environmental conditions				
• Mechanical environment		-	M1	M1
• Electromagnetic environment		-	E2	E2
• Operating temperature		°C	-25 ... +55	-25 ... +55
• Limit temperature of transportation and storage		°C	-25 ... +70	-25 ... +70
• Relative humidity (not condensation)		%	≤80	≤80
• Vibrations	50 Hz sinusoidal vibration amplitude	mm	±0.075	±0.075
• Degree protection	housing when mounted in front (terminal)	-	IP51(*)/IP20	IP51(*)/IP20

(*) For the installation in a cabinet at least with IP51 protection.

Note

A large grid of graph paper, consisting of 20 columns and 30 rows of small squares, intended for calculations or drawing.

Wechselstromzähler - Direktanschluß 80 A



digitale Wirk-Blindenergie Zähler mit momentaner Wirk-Blindleistungsanzeige kommunikationsfähig über seitliche IR Schnittstelle - 2 Tarife - 2 SO

Kode	Typ	Beschreibung
ECSEM118	ECS1-80	Wirk-Blindenergiezähler mit Wirk- Blindleistungsanzeige für Direktanschluß 0.25-5 (80) A - 2 tariffs - 2 SO
ECSEM119MID	ECS1-80 MID	d.to MID beglaubigt für Abrechnungszwecke

digitale Wirk-Blindenergie Zähler mit momentaner Wirk-Blindleistungsanzeige kommunikationsfähig über seitliche IR Schnittstelle und integrierter Kommunikation M-Bus - 2 Tarife

Kode	Typ	Beschreibung
ECSEM122	ECS1-80 M-Bus	Wirk-Blindenergiezähler mit Wirk- Blindleistungsanzeige für Direktanschluß 0.25-5 (80) A - 2 Tarife - und eingebauter Kommunikation M-Bus
ECSEM123MID	ECS1-80 MID M-Bus	d.to MID beglaubigt für Abrechnungszwecke

digitale Wirk-Blindenergie Zähler mit momentaner Wirk-Blindleistungsanzeige kommunikationsfähig über seitliche IR Schnittstelle und integrierter Kommunikation Modbus RTU - 2 Tarife

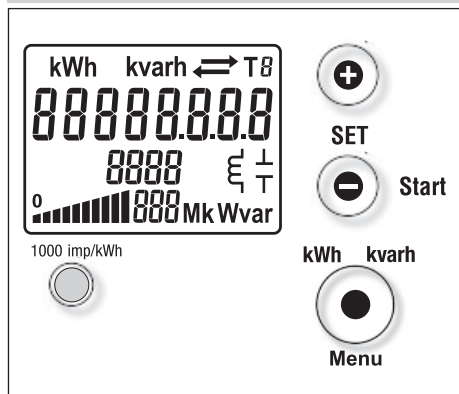
Kode	Typ	Beschreibung
ECSEM120	ECS1-80 Modbus	Wirk-Blindenergiezähler mit Wirk- Blindleistungsanzeige für Direktanschluß 0.25-5 (80) A - 2 Tarife - und eingebauter Kommunikation Modbus RTU
ECSEM121MID	ECS1-80 MID Modbus	d.to MID beglaubigt für Abrechnungszwecke

⚠️ WARNUNG

Die Installation muß von einer Elektrofachkraft oder unter deren Leitung und Aufsicht durchgeführt und geprüft werden. Bei Arbeiten am Meßgerät, Netzspannung abschalten!

- Diese Energiemeßgeräte sind für Direktanschluß bis 80 A gebaut. Alle Zähler besitzen ein LCD-Display für Wirk-u. Blindenergieregister und der LED Genauigkeitskontrolle. Die Grundausführung hat 2 SO Ausgänge für 2 Tarife über zwei Optocoupler solid State Relay. Die isolierte Kommunikation M-Bus oder Modbus RTU bietet die Auslesung von 11 Meßgrößen.

Beschreibung des Display



88888888

kWh kvarh

T8

↔

⌚

⊕

8888

▬▬▬▬▬▬

1000 imp/kWh

⊙

- Energieregister
- kWh / kvarh Anzeige
- laufender Tarif, aufgerufener Tarif
- Wirkenergiebezug (Import) (→)
- Wirkenergieabgabe (Export) (←)
- Anzeige für induktive Leistung
- Anzeige für kapazitive Leistung
- Höchste messbare Stromanzeige
- Balkendiagramm (in Prozent von *Pmax*)
- LED Genauigkeitskontroll-Anzeige

Beschreibung des Tasten



SET



Start

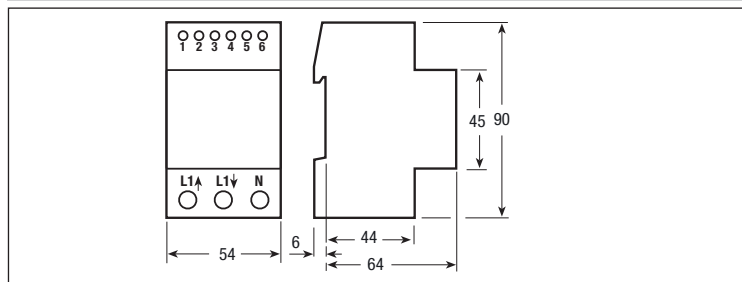
kWh kvarh



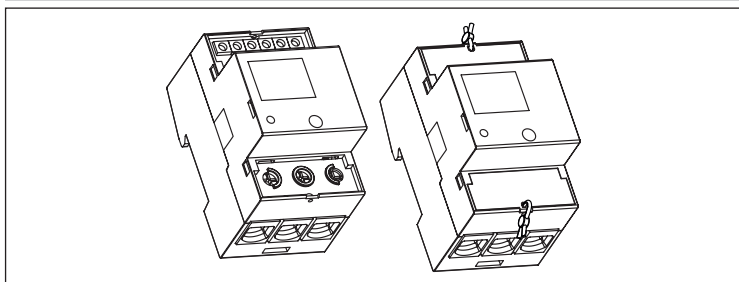
Menu

- Tasten für Einstellung u. Abrufungswerte
- Menüwahl taste

Maße



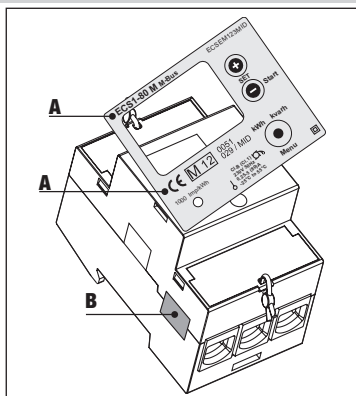
Klemmenabdeckung (plombierbar)



MID geeicht/beglaubigt

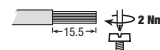
ECSEM119MID - ECSEM121MID
ECSEM123MID

- A) Geräterkennung und Beglaubigungsdaten.
- B) Sicherheitssiegel zwischen Gehäuse Unter- und Obergehäuse

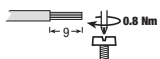


Kabelisolationlänge und Klemmschrauben Drehmoment

80 A Wandlerstromanschluß Schraubkopf PZ2



Tarif und Kommunikationsanschluß
Schlitzschraubkopf 0.8x3.5 mm



Symbole

- ⊙ • Einphasige Messung
- ⌚ • Rücklaufsperr
- ⊕ • Doppelisolierung

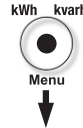
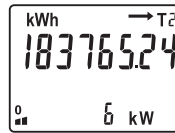
Hauptmenü

Gerät einschalten

Anzeigeseite 1:

Hier wird der Energiewert gezeigt, der momentan zunimmt, Wirkenergiebezug wird zusätzlich mit dem Richtungspfeil nach rechts und Wirkenergieabgaben mit dem Richtungspfeil nach links gezeigt. Der laufende Tarif erscheint mit T1 bzw. T2 am Display

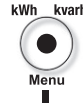
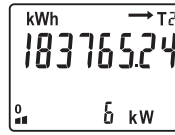
Seite 1



Anzeigeseite 2:

Bei Betätigung jeder Taste wird die Rückbeleuchtung aktiviert

Seite 2



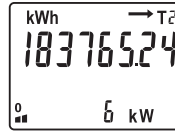
Anzeigeseite 3:

Mit der "Menütaste" können die 8 verschiedene Energieregister aufgerufen werden.

- Bezug Wirkenergie an Tarif 1 - Abgabe Wirkenergie an Tarif 1
- Bezug Blindenergie an Tarif 1 - Abgabe Blindenergie an Tarif 1
- Bezug Wirkenergie an Tarif 2 - Abgabe Wirkenergie an Tarif 2
- Bezug Blindenergie an Tarif 2 - Abgabe Blindenergie an Tarif 2

Im Zusammenhang der laufenden Energie wird auch die entsprechende Leistung gezeigt.

Seite 3



Anzeigeseite 4:

Diese Seite ändern sich je nach Energiezählertyp wie folgend:

- Energiezähler mit SO Ausgang kann die Impulslänge eingestellt werden (siehe Erläuterung unter Impulslänge).
- Energiezähler mit eingebauter M-Bus oder Modbus RTU Schnittstelle können die Adressierungen eingegeben werden (siehe Erläuterung unter Kommunikationsadressierung).

Seite 4

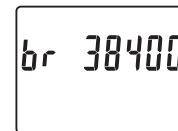
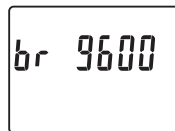
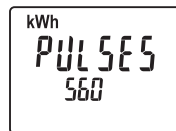


Anzeigeseite 5:

Diese Seiten ändern sich je nach Energiezählertyp wie folgt:

- Energiezähler mit SO Ausgang kann die Impulsmenge eingestellt werden (siehe Erläuterung unter Impulsmenge).
- Energiezähler mit eingebauten M-Bus oder Modbus RTU Schnittstelle können Übertragungsgeschwindigkeiten in Baud gewählt werden (siehe Erläuterung unter Kommunikationsbaudrate)

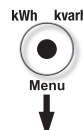
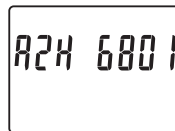
Seite 5



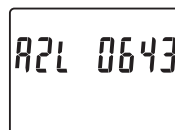
Anzeigeseiten 6-7:

Diese Seiten beziehen sich nur auf die Energiezähler mit eingebauter M-Bus Schnittstelle. In diesen 2 Seiten wird die sekundäre Adresse eingegeben. Die Adressierung besteht aus einer Zahl zwischen 1 und 99999999 und kann daher auf 2 Seiten geschrieben werden. Auf der Seite 8 wird die Haupteingabe die ersten 4 Zahlen und Seite 9 für den zweiten Teil der Ziffer verwendet (siehe Beispiel 68010643. Näheres nachstehend unter Kommunikations Adressierung.

Seite 6



Seite 7



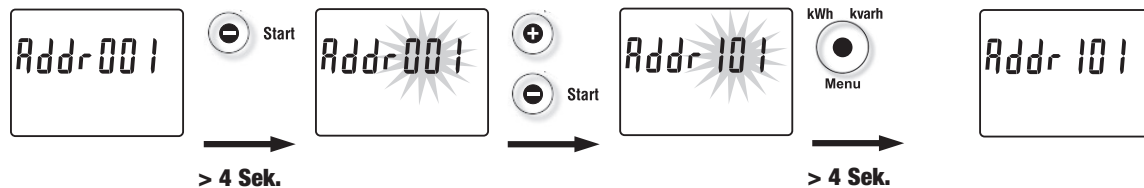
Bei Nichtbetätigung einer beliebigen Taste für mindestens 20 Sek. erscheint automatisch die Startseite.

Kommunikations-Adressierung-Einstellung

Modbus

In der Modbusadressierungsseite die **“Starttaste (-)”** 4 Sekunden lang betätigen am Display blinkt der einzustellende Wert.
Nach Einstellung des Adressierung mit **“+ und- Taste”**, gleich mit der Haupttaste **“Menü”** für 4 Sekunden bestätigen, andernfalls wird die Adressierung nach 5 Sekunden gelöscht.

Hauptmenü:

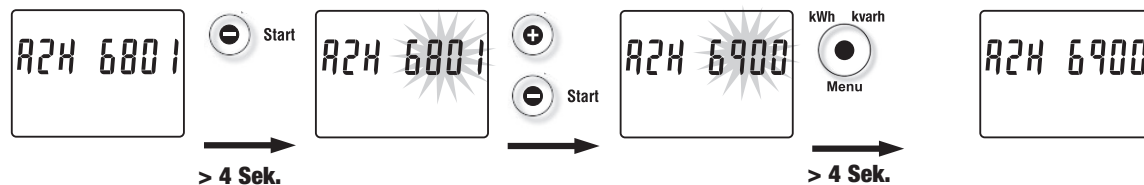


Hauptmenü:

M-Bus

Primäre als auch sekundäre Adressierungen können gesetzt werden. Um die primäre Adressierung durchzuführen den gleichen Vorgang wie bei Modbus vornehmen.
Die sekundäre Adressierung kann zwischen 1 und 99999999 auf zwei Seiten vorgenommen werden. In der ersten **“Seite”** wird die Hauptgruppen der ersten 4 Zahlen mit dem **“Tasten +/-”** eingegeben. Gleich nach dieser Einstellung mit der **“Menütaste”** den Eingabewert bestätigen.
Der gleiche Vorgang soll für die zweite Seite der restlichen 4 Zahlen durchgeführt werden.

Hauptmenü:

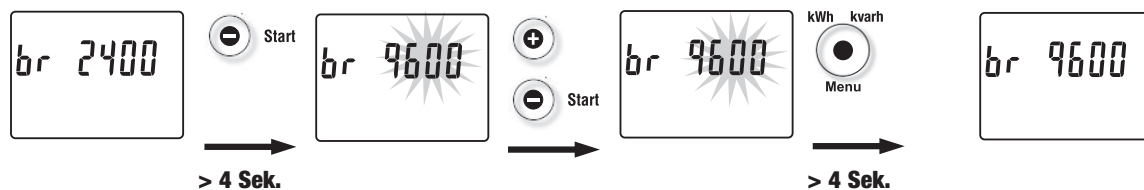


Hauptmenü:

Kommunikations Baudrate Einstellung

In der Baudrateseite br nach Betätigung von 4 Sekunden der **“Start (-) Taste”** blinkt der einzustellende Wert. Nach erreichten Baudrate über die **“+/- Tasten”**, gleich mit der Haupttaste **“Menü”** den Einstellwert bestätigen, ansonsten wird der Vorgang nach 5 Sekunden gelöscht.

Hauptmenü:



Hauptmenü:

S0 - Impulsausgang Einstellungen

Impulsmenge Einstellung

Diese Einstellung ist von zwei Grundwerten abhängig: a) die gewählte primäre Wandlerstromeingabe
b) die gewünschte Impulslängeeingabe

$$\text{Die Relation formt sich demzufolge: } \text{Impulsmenge} = \frac{50.000}{\text{Impulsmenge (ms)}}$$

Zum Beispiel für Ihre Installation benötigen Sie:

Eine Impulsmenge von 90 ms. Die max. Impulsmenge ergibt jedoch: $\text{Impulsmenge} = \frac{50.000}{90} = 555.5 = 550 \text{ Impulse/kWh}$ (auf Zehner abgerundet)

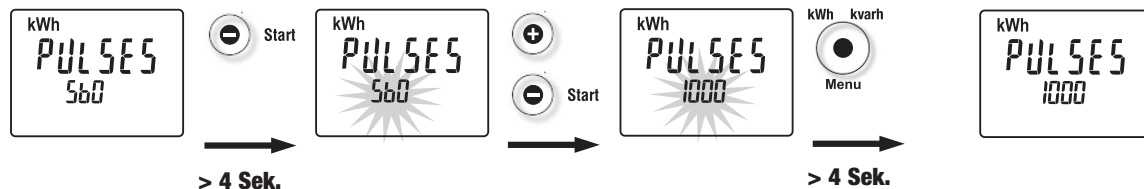
Sollte das nötige Verhältnis nicht sich ergeben wird der Zähler die Impulsfrequenz automatisch bestmöglichst wählen und lehnt die gewünschte Frequenz ab.

Einstellung

Bei 4 Sekunden langer Betätigung der **“Starttaste (-)”** blinkt der einzugehende Wert.

Mit den **“Tasten +/-”** kann man den Impulsmengenwert einstellen, gleich folgend mit der **“Menütaste”** bestätigen, da ansonsten die Einstellung nach 5 Sekunden gelöscht wird.

Hauptmenü:

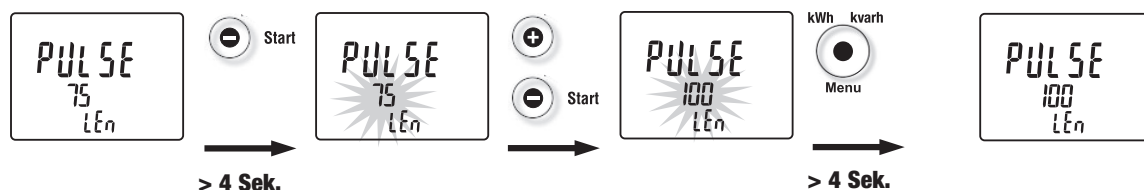


Hauptmenü:

Impulslänge Einstellung (ms)

Die **“Taste Start (-)”** für 4 Sekunden drücken bis der einzugebende Wert blinkt mit den **“Tasten +/-”** den gewünschten Wert einstellen und gleich mit der **“Menütaste”** bestätigen, da ansonsten die Einstellung nach 5 Sekunden gelöscht wird.

Hauptmenü:



Hauptmenü:

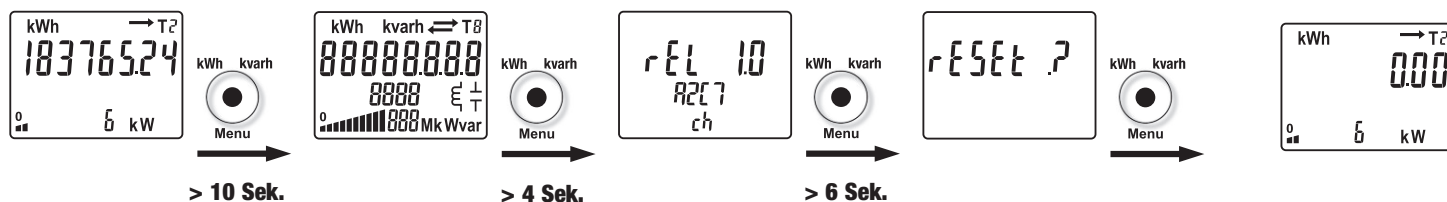
Diagnostische Seite des Display Firmware-Informationen Energiezählerstände rücksetzen

In jeder Anzeigeseite mit Betätigung von 10 Sek. der Taste "Menü" erscheint die Diagnostikseite.

Durch nochmaligen 4 Sek. langen Drücken der "Menütaste" zeigt das Display Info über die Firmware Freigabe sowie. bei weiterer Betätigung der "Menütaste" von etwa 6 Sek. zeigt das Display die Nullsetzung der Energieregister an (Diese Funktion ist bei MID-Zähler nicht vorhanden).

Nach Anzeige "rESET" "Menütaste" kurz loslassen und durch weiteren 4 Sek. langen Bestätigungsbehehl die "Menütaste" drücken. Ohne Bestätigungsaktion werden die Register nicht nullgesetzt.

Hauptmenü:



Hauptmenü:

Funktionsfehlermeldung

Service und Instandhaltung

Während der Standard Lebenszeit der Energiezähler ist eine Neueichung NICHT nötig. Alle elektronischen eingesetzten Bauteile sind für eine Lebenszeit von mindestens 15 Jahre ausgelegt.

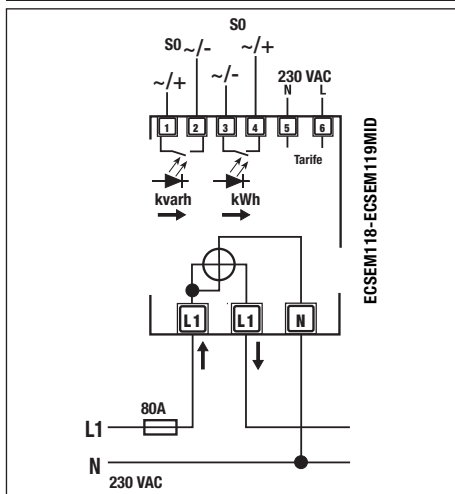


Service und Wartung

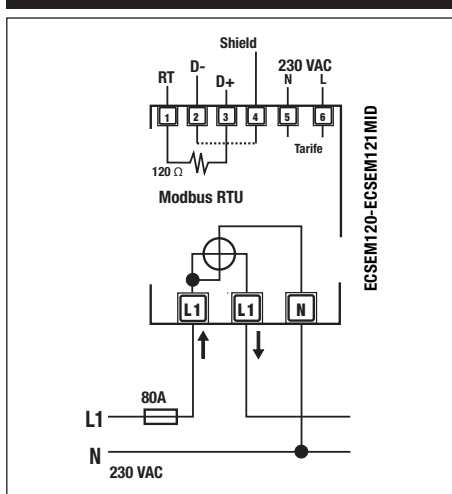
- Das Gerät benötigt keinerlei Eichung während seiner Lebenszeit. Alle Bauteile haben keinen mechanischen Verschleiß. Die Sensorik für Strom und Spannung, mit sachgemäßen Gebrauch, haben keine Abweichungen, sollten diese trotzdem auftreten, so wurde des Gerät beschädigt und muß zur Reparatur oder Austausch eingeschickt werden. Sollte das Gerät verschmutzt sein, empfiehlt man die Reinigung mit einen feuchten Süßwasser getränkten weichen Tuch. Beachten Sie dabei daß Wasser nicht in das Gerät eindringt und dabei dasselbe beschädigen könnte.

Schaltbild

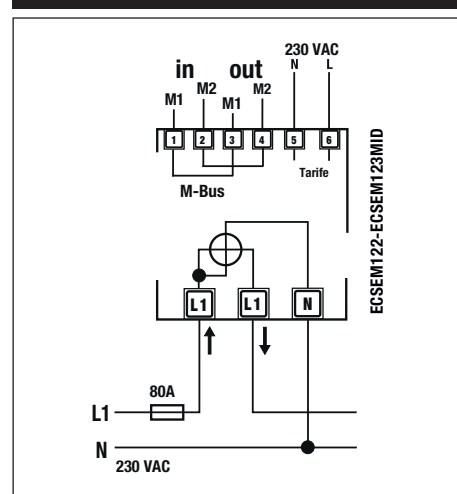
S0



Modbus



M-Bus



Für den Leitungsschutz wird eine Sicherung von 80 A empfohlen.

Klemmenbeschriftung

S0

- 1-2: Impulsausgang für Blindenergiebezug isoliert über OptoMOS Relay
- 3-4: Impulsausgang für Wirkenergiebezug
- 6-7: Tarifschaltungsbehehl über Opto-Coupler
Bei Anliegen von 230 VAC wird Tarif 2 aktiviert ohne dessen wird mit Tarif 1 gezählt.
- L1 ↑: Phaseingang
- L1 ↓: Phaseingang
- N: Nullleiteranschluß

Modbus

- 1: Modbus-Anschluß. Für die Beendigung dieser Klemme mit der Klemme 3 verbinden.
- 2: Modbus-Anschluß. Data -
- 3: Modbus-Anschluß. Data +
- 4: Modbus-Anschluß. Shield
- 6-7: Tarifschaltungsbehehl über Opto-Coupler
Bei Anliegen von 230 VAC wird Tarif 2 aktiviert ohne dessen wird mit Tarif 1 gezählt.
- L1 ↑: Phaseingang
- L1 ↓: Phaseingang
- N: Nullleiteranschluß

M-Bus

- 1-3: M-Bus-Anschluß. Diese Verbindungen sind intern verbunden.
- 2-4: M-Bus-Anschluß. Diese Verbindungen sind intern vorgenommen.
- 6-7: Tarifschaltungsbehehl über Opto-Coupler
Bei Anliegen von 230 VAC wird Tarif 2 aktiviert ohne dessen wird mit Tarif 1 gezählt.
- L1 ↑: Phaseingang
- L1 ↓: Phaseingang
- N: Nullleiteranschluß

Technische Daten

Daten nach EN 50470-1, EN 50470-3, EN 62053-23 und EN 62053-31

			ECSEM118-ECSEM119MID	ECSEM120-ECSEM121MID ECSEM122-ECSEM123MID
			Direktanschluß 80 A Schnittstellen S0	Direktanschluß 80 A integrierter Kom. Modbus - M-Bus
Allgemeine Daten				
• Gehäuse	DIN 43880	DIN	3 Module	3 Module
• Befestigung	EN 60715	35 mm	DIN Verteilerschiene	DIN Verteilerschiene
• Bauhöhe		mm	70	70
Funktion				
• Betriebsart	Einphasen Netz	n° Leiter	2	2
• Speicherung der Einstellung und Zählerstand	über (EEPROM)	-	ja	ja
• Tarife	für Wirk- u. Blindenergie	n° 2	T1 und T2	T1 und T2
Versorgung (über Meßklemmen)				
• Bemessungssteuerspeisespannung <i>Un</i> (beglaubigt)		VAC	230 ±20%	230 ±20%
• Spannungsbereich		VAC	110 ... 276	110 ... 276
• Bemessungsfrequenz <i>fn</i> (beglaubigt)		Hz	50 ±2%	50 ±2%
• Frequenzbereich		Hz	48 ... 62	48 ... 62
• Bemessungsverlustleistung (max.) <i>Pv</i>		VA (W)	≤8 (0.6)	≤8 (0.6)
Überlastbarkeit				
• Spannung <i>Un</i>	Dauerbetrieb	VAC	276	276
	Kurzbetrieb für (1 s)	VAC	300	300
• Strom <i>I_{max}</i>	Dauerbetrieb	A	80	80
	Kurzbetrieb für (10 ms)	A	2400	2400
Anzeige				
• Anzeige	LCD	n° Digits	8 (2 Dezimale)	8 (2 Dezimale)
	Digit Abmessungen	mm x mm	6.00 x 3	6.00 x 3
• Wirkenergie: 1 Anzeige, 8-stellig	2 Tarife	kWh	0.01	0.01
+ Anzeige Bezug oder Lieferung (Pfeil)	max. Anzeige (Durchlauf)	kWh	999999.99	999999.99
• Blindenergie: 1 Anzeige, 8-stellig	2 Tarife	kvarh	0.01	0.01
+ Anzeige Bezug oder Lieferung (Pfeil)	max. Anzeige (Durchlauf)	kvarh	999999.99	999999.99
• Momentane Wirkleistung: 1 Anzeige, 3-stellig		W, kW oder MW	000 ... 999	000 ... 999
• Momentane Blindleistung: 1 Anzeige, 3-stellig		var, kvar oder Mvar	000 ... 999	000 ... 999
• Aktueller Tarif		-	1	1
	1 Anzeige, 1-stellig	-	T1 oder T2	T1 oder T2
• Anzeigezyklus		s	1	1
Messgenauigkeit				
• Wirkenergie und Wirkleistung	bei 23 ±1°C auf Nominalwert bezogen	Klasse	B	B
• Blindenergie und Blindleistung	nach EN 50470-3	Klasse	2	2
	nach EN 62053-23			
Messeingang				
• Anschlußart	Phase/N	-	direkt	direkt
• Arbeitsbereich Spannung	Phase/N	VAC	110 ... 276	110 ... 276
• Strom <i>I_{ref}</i>		A	5	5
• Strom <i>I_{min}</i>		A	0.25	0.25
• Arbeitsbereich Strom (<i>I_{st} ... I_{max}</i>)	Direktanschluß	A	0.020 ... 80	0.020 ... 80
• Bemessungsfrequenz <i>fn</i> (beglaubigt)		Hz	50 ±2%	50 ±2%
• Frequenz		Hz	48 ... 62	48 ... 62
• Eingangswelligkeitsform		-	AC	AC
• Betriebsanlaufstrom (<i>I_{st}</i>)		mA	20	20
S0 Schnittstelle				
• Impulsausgänge	nach EN 62053-31	-	ja	-
	nur für Wirk- u. Blindenergie T1 und T2	-	ja	-
• Impulszahl		Imp/kWh	1000	-
• Impulsdauer		ms	100 (kleiner auf Anfrage)	-
• Erforderliche Spannung	min. (max.)	VAC (DC)	5 ... 230 ±5% (5 ... 300)	-
• Zulässiger Strom	Impuls ON (max. 230 VAC)	mA	90	-
• Erlaubter Strom	Imp. OFF (Fehlerstrom max. 230 VAC)	µA	1	-
Optische Schnittstellen				
• Frontseitige Kalibrierung (<i>Genauigkeitskontrolle</i>)	LED	Imp/kWh	1000	1000
Sicherheit nach EN 50470-1				
• Für Innenräume		-	ja	ja
• Verschmutzungsgrad		-	2	2
• Betriebsspannung		VAC	300	300
• AC Spannungsfestigkeitstest (EN 50470-3, 7.2)		kV	4	4
• Prüfspannung		1.2/50 ms-kV	6	6
• Schutzklasse (EN 50470)		Klasse	II	II
• Flammenwiderstand	UL 94	Klasse	V0	V0
• Siegel zwischen Gehäuseoberteil und -unterteil (mod. ECSEM119MID-ECSEM121MID-ECSEM123MID)		-	ja	ja
Eingebettete Kommunikation				
• Modbus RTU	RS-485 - 3 Leiter	-	-	bis zu 38.400 bps
• M-Bus	2 Leiter	-	-	bis zu 9.600 bps
• M-Bus Leistungsaufnahme	2 Leiter	-	-	1 Einheit
Adapter für Kommunikation				
• Plug-and-Play-Technik		-	•	•
• Schnittstelle LAN mit Modbus/TCP Protokoll	Ethernet 802.3	-	10/100 Mbps	10/100 Mbps
• Schnittstelle Modbus RTU, Ascii	RS-485 - 3 Leiter	-	bis zu 38.400 bps	-
• Schnittstelle M-Bus	2 Leiter	-	bis zu 9.600 bps	-
• Schnittstelle KNX	EIB-standard	-	bis zu 9.600 bps	bis zu 9.600 bps
• SD-Card Datalogger		-	1 bis 8 Gigabytes	1 bis 8 Gigabytes
Klemmen				
• Liftklemmen der Hauptstrombahnen	Schraubenkopf Z +/-	POZIDRIV	PZ2	PZ2
• Liftklemmen für S0 Impulsausgänge	Klinge für Schlitzschraube	mm	0.8 x 3,5	0.8 x 3,5
• Klemmenkapazität Betriebs- und Hauptbahnen	starr min. (max.)	mm ²	1.5 (50)	1.5 (50)
	flexibel, mit Hülse min. (max.)	mm ²	1.5 (50)	1.5 (50)
• Klemmenkapazität für S0 Impulsausgänge	starr min. (max.)	mm ²	1 (4)	1 (4)
	flexibel, mit Hülse min. (max.)	mm ²	1 (2,5)	1 (2,5)
Umweltbedingungen				
• Mechanische Umgebung		-	M1	M1
• Elektromagnetische Umgebung		-	E2	E2
• Betriebstemperatur		°C	-25 ... +55	-25 ... +55
• Temperaturgrenzen für Lagerung und Transport		°C	-25 ... +70	-25 ... +70
• Relative Feuchte (ohne Kondensation)		%	≤80	≤80
• Schwingen	Sinus-Amplitude bei 50 Hz	mm	±0.075	±0.075
• Schutzart	Eingebautes Gerät Frontseite/Klemmen	-	IP51(*)/IP20	IP51(*)/IP20

(*) Für die Installation in einem Verteiler mit mindestens IP51 Schutz.

Notizen

A large grid of graph paper, consisting of 20 columns and 30 rows of small squares, intended for taking notes or drawing diagrams.